

1107 MICRO WINDOW TRANSMITTER

Installation Guide

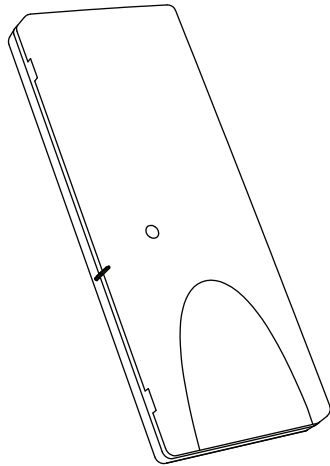


Figure 1: 1107 Micro Window Transmitter

DESCRIPTION

The 1107 Micro Window Transmitter is a low-profile 1100 Series transmitter that can be used on windows. It is powered by a 3 V coin cell battery and contains a single reed switch.

What is Included?

- 1107 Transmitter PCB Mounted in a Two-Part Housing
- One Magnet with a Standard and a Commercial Housing
- One CR2430 3 V Coin Cell Lithium Battery
- Double-sided Tape

1 PROGRAM THE PANEL

When programming the 1107 in the panel, refer to the panel programming guide as needed.

1. In **ZONE INFORMATION**, enter the wireless **ZONE NO:** and press **CMD**.
2. Enter the **ZONE NAME** and press **CMD**.
3. Select **NT** (Night) as the **ZONE TYPE**.
4. Select the **AREA**.
5. At the **NEXT ZONE** prompt, select **NO**.
6. Select **YES** when **WIRELESS?** displays.
7. Enter the eight-digit **SERIAL#** and press **CMD**. See Figure 2 for the serial number location.
8. Enter the **SUPRVSN TIME** and press **CMD**.
9. At the **NEXT ZONE** prompt, select **YES** if you are finished programming the zone. Select **NO** if you would like to access additional programming options.

2 INSTALL THE BATTERY

After the transmitter has been programmed into the panel, install the battery. Use a 3 V lithium battery, Sony CR2430, or equivalent battery from a local retail outlet. Keep in mind, when setting up a wireless system, program zones and connect the receiver before installing batteries in the transmitter.

1. Insert a small screwdriver into each notch in the housing cover and lift until the cover comes off. Do not twist the screwdriver.
2. Observing polarity, place the battery in the holder with the positive (+) side up. Press it into place. See Figure 2 for the battery location.

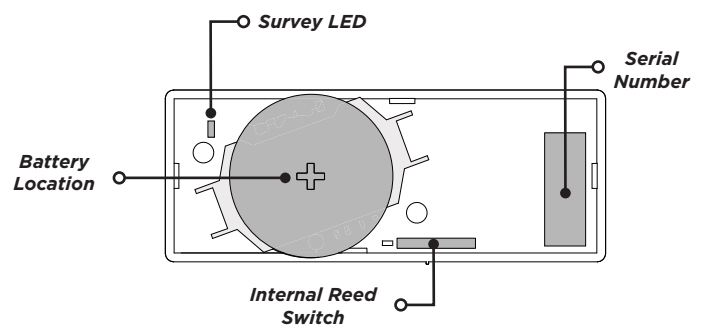


Figure 2: Battery Location and PCB Features

3 SELECT A LOCATION

The 1107 provides a survey capability to allow one person to confirm communication with the wireless receiver or panel while the cover is removed.

1. Hold the 1107 transmitter and the included magnet in the exact desired location.
2. Move the magnet away from the transmitter to send data to the receiver and determine if communication is confirmed or faulty. See Figure 2 for LED locations.
 - ✓ **Confirmed:** If communication is confirmed, for each transmission the LED blinks immediately on and immediately off. Repeat this test to confirm five separate consecutive LED blinks. Any indication otherwise means proper communication has not been established.
 - ✗ **Faulty:** If communication is faulty, the LED remains on for about 8 seconds or flashes multiple times in quick succession. Relocate the 1107 or wireless receiver until the LED confirms clear communication.
3. Relocate the 1107 or receiver until the LED confirms clear communication. Proper communication between the 1107 and receiver is verified when the LED blinks immediately on and immediately off each time the magnet is removed.

4 MOUNT THE 1107 TRANSMITTER

The transmitter and magnet assembly should have no more than 1/2" between the assembled housings after installation. When mounting on metal (ferrous) surfaces, this distance is slightly less. DMP recommends mounting the transmitter on the window frame and the magnet assembly on the window.

1. Hold the transmitter base in place with the reed switch alignment marker near where the magnet assembly will be mounted. See How to Align the Transmitter and Magnet Assembly for more information.
 - 📄 **Note:** Do not remove the PCB from the housing during installation.
2. Place the two supplied #4 flat-head screws into the mounting holes to secure the housing base to the surface. See Figure 3.
3. Replace the cover.

For environments where the cover could be dislodged, use the optional #4 pan-head securing screw instead of the center flat-head screw to secure the transmitter and cover to the mounting surface. See Figure 3.

For even quicker installations, use the included double-sided tape instead of the screws to attach the housing to the mounting surface.

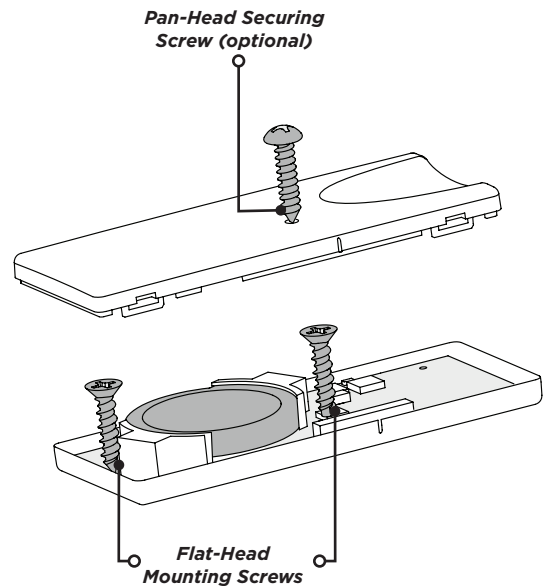
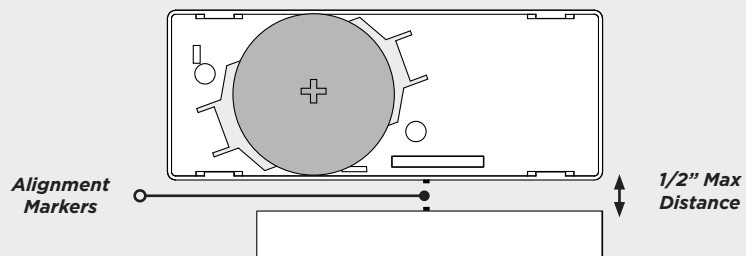


Figure 3: Mounting Hole Locations

HOW TO ALIGN THE TRANSMITTER AND MAGNET ASSEMBLY

When you mount the transmitter and magnet assembly, use the alignment markers to ensure that the transmitter's internal reed switch is lined up with the magnet.

There should be no more than a 1/2" inch of space between the transmitter and the magnet assembly.



5 MOUNT THE MAGNET ASSEMBLY

Only one magnet assembly is required for internal reed switch operation. Depending on the installation requirements, you can use either the standard or commercial magnet assembly.

Standard Magnet Assembly

1. Place the magnet assembly base on the surface nearest the transmitter's internal reed switch location. Be sure to align the markers on the transmitter and magnet assembly.
2. Use the provided #4 flat-head screws or included double-sided tape to secure the base in place.
3. Snap the magnet into the magnet assembly cover, then snap the cover onto the base.

Commercial Magnet Assembly

1. Snap the magnet into the magnet assembly cover.
2. Place the cover on the surface nearest to the internal reed switch location. Be sure to align the markers on the transmitter and magnet assembly.
3. Use the supplied #4 flat-head screws to mount the magnet assembly. See Figure 5.

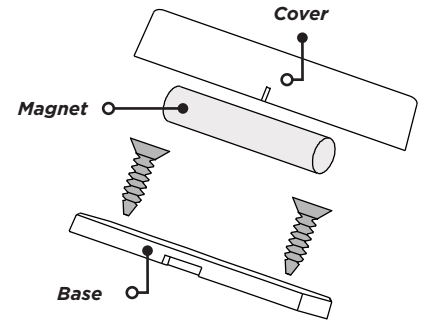


Figure 4: Standard Magnet Assembly

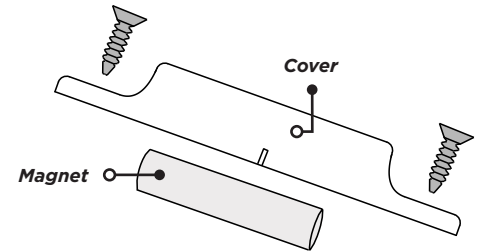


Figure 5: Commercial Magnet Assembly

6 TEST THE 1107

After installing the 1107, perform a Wireless Check-in Test to confirm the 1107 is communicating with the panel. At the keypad, enter **8144** (WALK) and select WLS. If the 1107 fails to check in at the keypad, relocate the wireless device, receiver, or panel.

When this test is initiated, the panel automatically tests the communication between itself and each wireless zone. Wireless zones should not be manually tripped during this test. Manually tripping zones during this test could lead to a false failure.

REPLACE THE BATTERY

1. Insert a small screwdriver into the notch in the housing cover and lift until the cover comes off. Do not twist the screwdriver.
2. Remove the old battery and dispose of it properly.
3. Observing polarity, place the new battery in the holder and press into place.
4. Snap the transmitter housing cover back on the base.

⚡ Caution: Properly dispose of used batteries. Do not recharge, disassemble, heat above 212°F (100°C), or incinerate. Risk of fire, explosion, and burns.

Sensor Reset to Clear LOBAT

When the battery needs to be replaced, a **LOBAT** message will display on the keypad. Once the battery is replaced, a sensor reset is required at the system keypad to clear the **LOBAT** message.

1. On a Thinline keypad, press and hold "2" for two seconds. On a touchscreen keypad press **RESET**.
2. Enter your user code if required.
3. The keypad displays **SENSORS OFF** followed by **SENSORS ON**.


FCC INFORMATION

This device complies with Part 15 of the FCC Rules. Operation is subject to the following two conditions:

1. This device may not cause harmful interference, and
2. this device must accept any interference received, including interference that may cause undesired operation.

The antenna used for this transmitter must be installed to provide a separation distance of at least 20 cm (7.874 in.) from all persons. It must not be located or operated in conjunction with any other antenna or transmitter.

Changes or modifications made by the user and not expressly approved by the party responsible for compliance could void the user's authority to operate the equipment.

 **Note:** This equipment has been tested and found to comply with the limits for a Class B digital device, pursuant to part 15 of the FCC Rules. These limits are designed to provide reasonable protection against harmful interference in a residential installation. This equipment generates, uses and can radiate radio frequency energy and, if not installed and used in accordance with the instructions, may cause harmful interference to radio communications. However, there is no guarantee that interference will not occur in a particular installation. If this equipment does cause harmful interference to radio or television reception, which can be determined by turning the equipment off and on, the user is encouraged to try to correct the interference by one or more of the following measures:

1. Reorient or relocate the receiving antenna.
2. Increase the separation between the equipment and receiver.
3. Connect the equipment into an outlet on a circuit different from that to which the receiver is connected.
4. Consult the dealer or an experienced radio/TV technician for help.

Industry Canada Information

This device complies with Industry Canada Licence-exempt RSS standard(s). Subject to the following two conditions:

1. This device may not cause interference, and
2. This device must accept any interference, including interference that may cause undesired operation of the device.

This system has been evaluated for RF Exposure per RSS-102 and is in compliance with the limits specified by Health Canada Safety Code 6. The system must be installed at a minimum separation distance from the antenna to a general bystander of 7.87 inches (20 cm) to maintain compliance with the General Population limits.

Le présent appareil est conforme aux CNR d'Industrie Canada applicables aux appareils radio exempts de licence. L'exploitation est autorisée aux deux conditions suivantes:

1. *l'appareil ne doit pas produire de brouillage, et*
2. *l'utilisateur de l'appareil doit accepter tout brouillage radioélectrique subi, même si le brouillage est susceptible d'en compromettre le fonctionnement.*

L'exposition aux radiofréquences de ce système a été évaluée selon la norme RSS-102 et est jugée conforme aux limites établies par le Code de sécurité 6 de Santé Canada. Le système doit être installé à une distance minimale de 7,87 pouces (20 cm) séparant l'antenne d'une personne présente en conformité avec les limites permises d'exposition du grand public.

1107 MICRO WINDOW TRANSMITTER

Specifications

Battery

| | |
|-----------------|--------------------|
| Life Expectancy | 2 years |
| Type | 3 V Lithium CR2430 |

Frequency Range 905-927 MHz

Dimensions

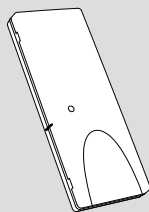
| | |
|-----------------|-------------------------------|
| Transmitter | 2.625" L x 1" W x .3125" H |
| Standard Mag. | 2.125" L x .375" W x .3125" H |
| Commercial Mag. | 2.125" L x .375" W x .3125" H |

Color

White

Housing Material

Flame retardant ABS



Compatibility

XTL Series Control Panels
XT Series Control Panels
XR Series Control Panels
1100 Series Wireless Receivers

Patents

U. S. Patent No. 7,239,236

Certifications

FCC Part 15 Registration ID CCKPC0133
IC Registration ID 5251A-PC0133



Designed, engineered, and
manufactured in Springfield, MO
using U.S. and global components.

LT-1156 24401

INTRUSION • FIRE • ACCESS • NETWORKS

2500 North Partnership Boulevard
Springfield, Missouri 65803-8877

800.641.4282 | DMP.com